

Analog 0-7 X1F


Pin Number	Board Number	MK Number
1	AD0	PK0 97
2	AD1	PF1 96
3	AD2	PF2 95
4	AD3	PF3 94
5	AD4	PF4 93
6	AD5	PF5 92
7	AD6	PF6 91
8	AD7	PF7 90

Arduino Mega 2560

X1G Analog 8-15

Pin Number	Board Number	MK Number
1	AD8	PK0 89
2	AD9	PK1 88
3	AD10	PK2 87
4	AD11	PK3 86
5	AD12	PK4 85
6	AD13	PK5 84
7	AD14	PK6 83
8	AD15	PK7 82

Arduino Mega 2560

Title			Altium Limited L3, 12a Rodborough Rd Frenchs Forest NSW Australia 2086	
Size: A4	Number:	Revision:		
Date: 12.09.2018	Time: 19:14:54	Sheet of		
File: C:\Users\Electron2\Desktop\готовые проекты\LightHub\Analog Inputs.SchDoc				

1

2

3

4

A

A

U?

B

B

1761606-9

C

C

D

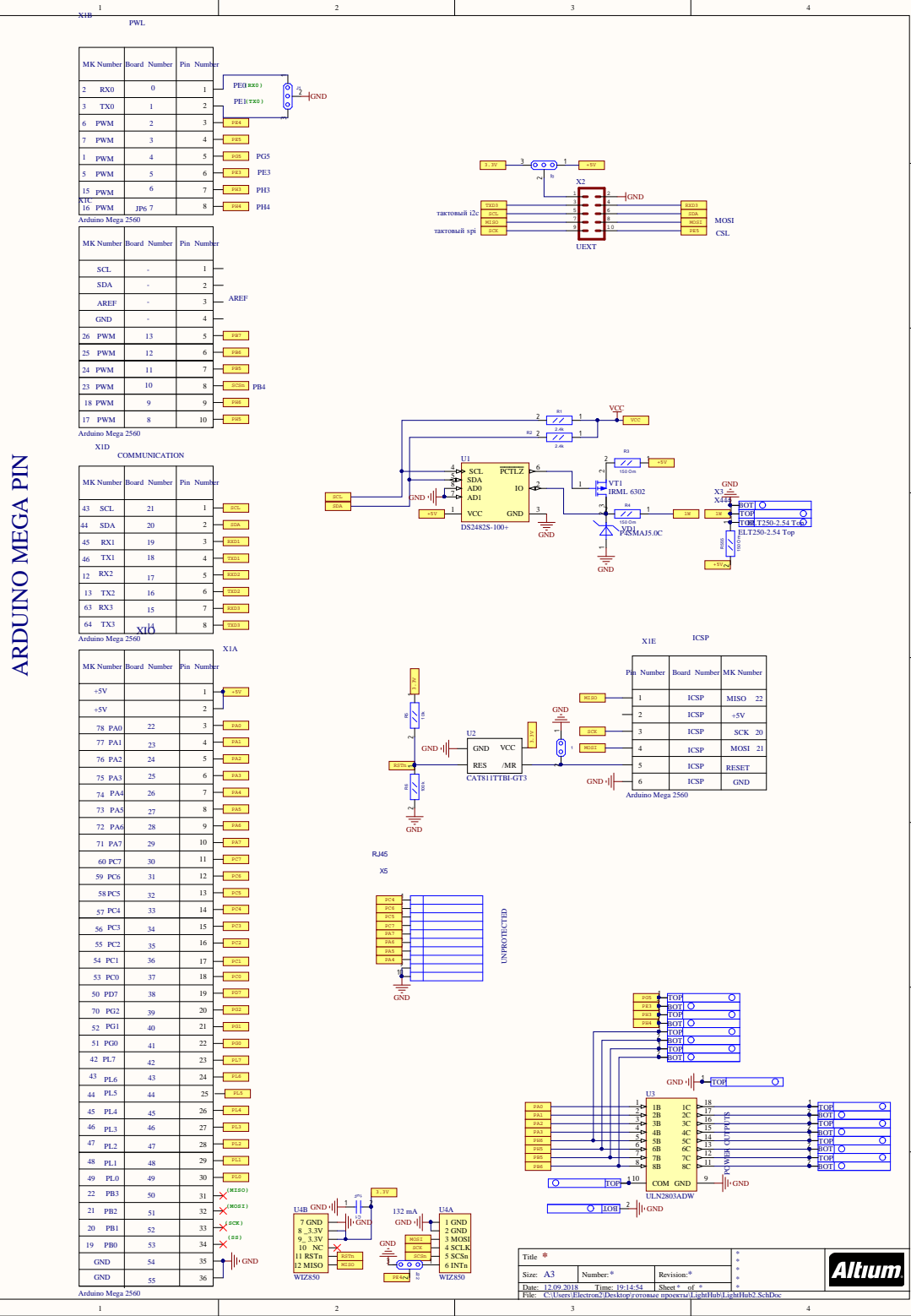
D

1

2

3

4



ARDUINO MEGA PIN

MK Number	Board Number	Pin Number	
2	RX0	0	1
3	TX0	1	2
6	PWM	2	3
7	PWM	3	4
1	PWM	4	5
5	PWM	5	6
15	PWM	6	7
16	PWM	JP6	7
16	PWM	JP6	8

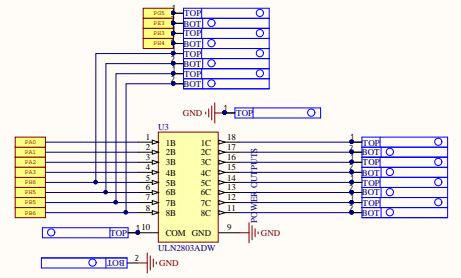
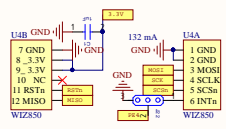
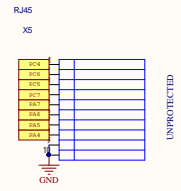
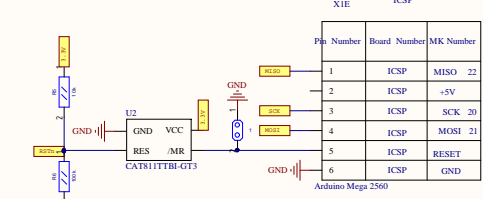
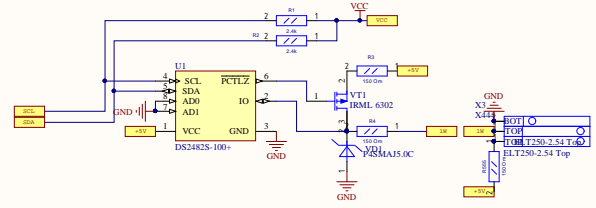
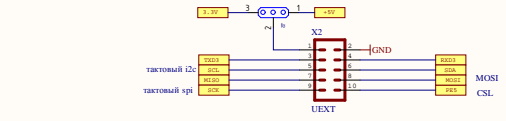
MK Number	Board Number	Pin Number	
SCL	-	1	
SDA	-	2	
AREF	-	3	
GND	-	4	
26	PWM	13	5
25	PWM	12	6
24	PWM	11	7
23	PWM	10	8
18	PWM	9	9
17	PWM	8	10

X1D COMMUNICATION

MK Number	Board Number	Pin Number	
43	SCL	21	1
44	SDA	20	2
45	RX1	19	3
46	TX1	18	4
12	RX2	17	5
13	TX2	16	6
63	RX3	15	7
64	TX3	14	8

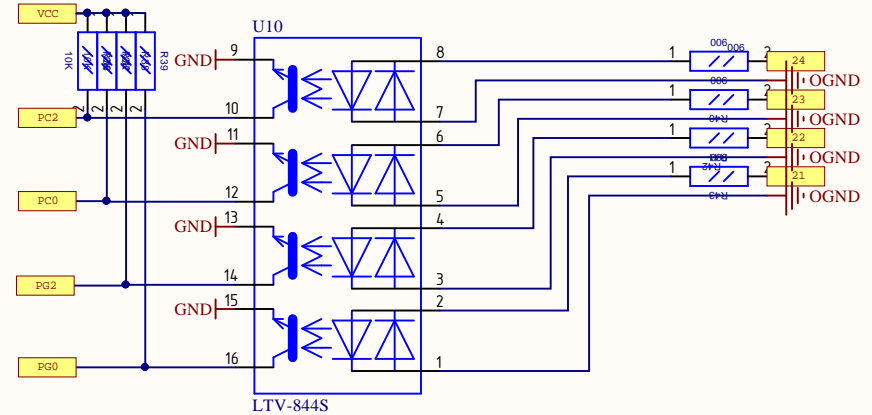
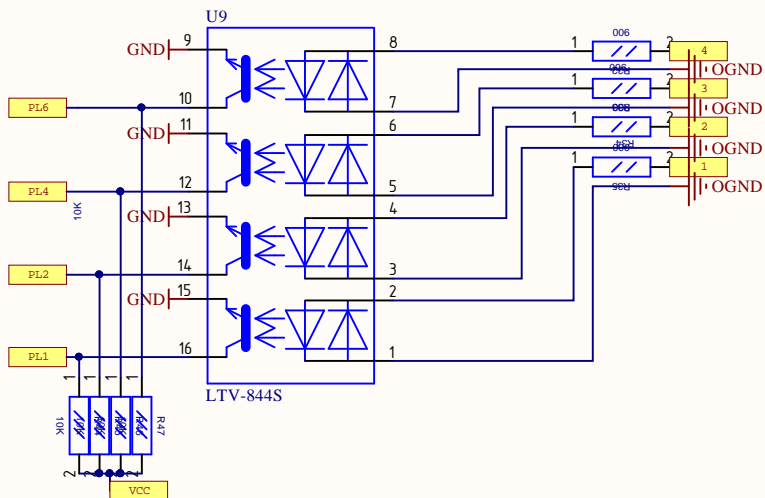
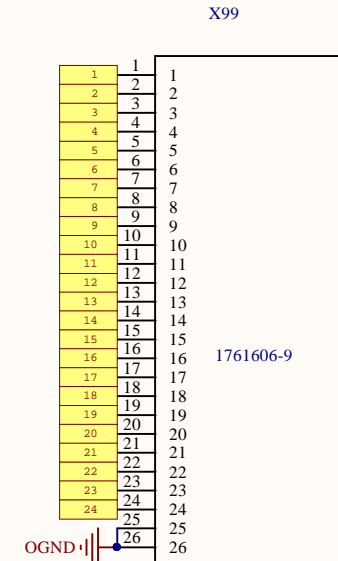
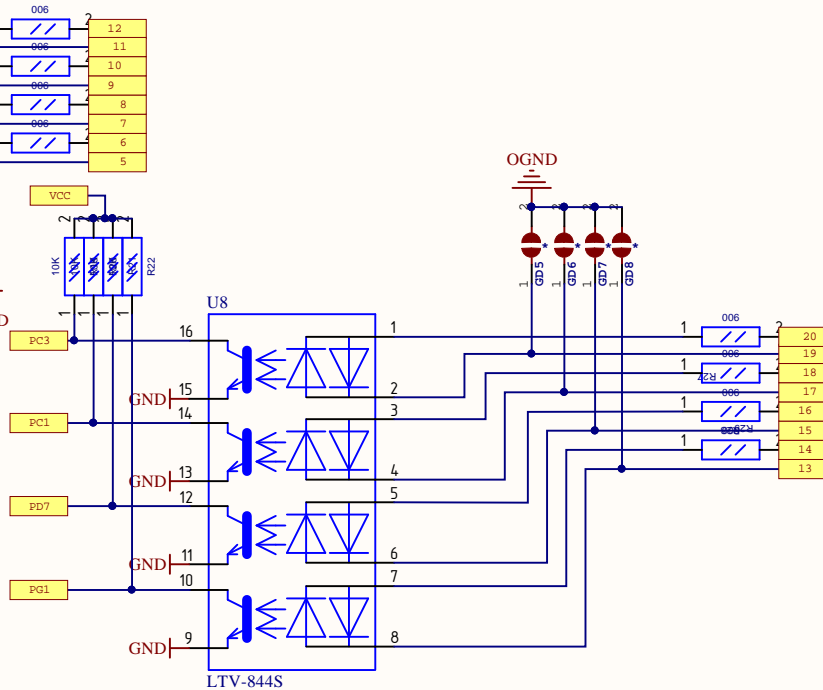
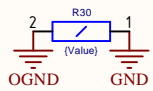
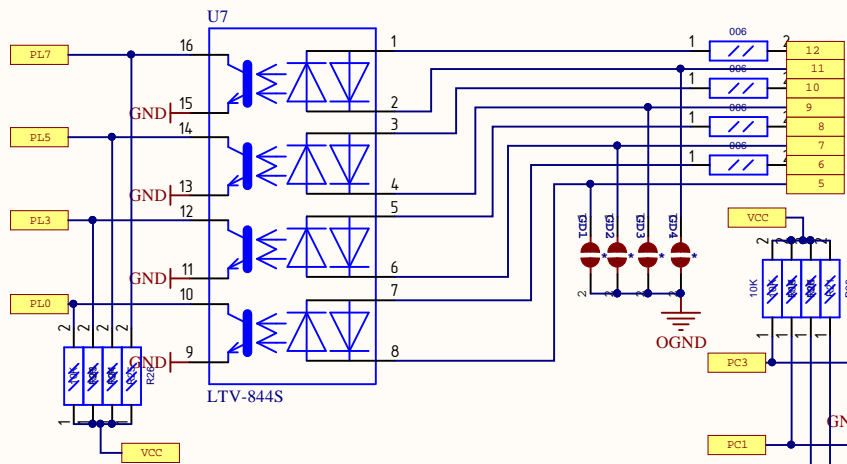
X1A

MK Number	Board Number	Pin Number	
+5V		1	
+5V		2	
78	PA0	22	3
77	PA1	23	4
76	PA2	24	5
75	PA3	25	6
74	PA4	26	7
73	PA5	27	8
72	PA6	28	9
71	PA7	29	10
60	PC7	30	11
59	PC6	31	12
58	PC5	32	13
57	PC4	33	14
56	PC3	34	15
55	PC2	35	16
54	PC1	36	17
53	PC0	37	18
50	PD7	38	19
70	PG2	39	20
52	PG1	40	21
51	PG0	41	22
42	PL7	42	23
43	PL6	43	24
44	PL5	44	25
45	PL4	45	26
46	PL3	46	27
47	PL2	47	28
48	PL1	48	29
49	PL0	49	30
22	PB3	50	31
21	PB2	51	32
20	PB1	52	33
19	PB0	53	34
GND		54	35
GND		55	36



Title \*  
 Size: A3 Number: \* Revision: \*  
 Date: 12.09.2018 Time: 19:14:54 Sheet: \* of: \*  
 File: C:\Users\Electron2\Desktop\crouse\spocsva\LightHub1\LightHub2\_SchDoc





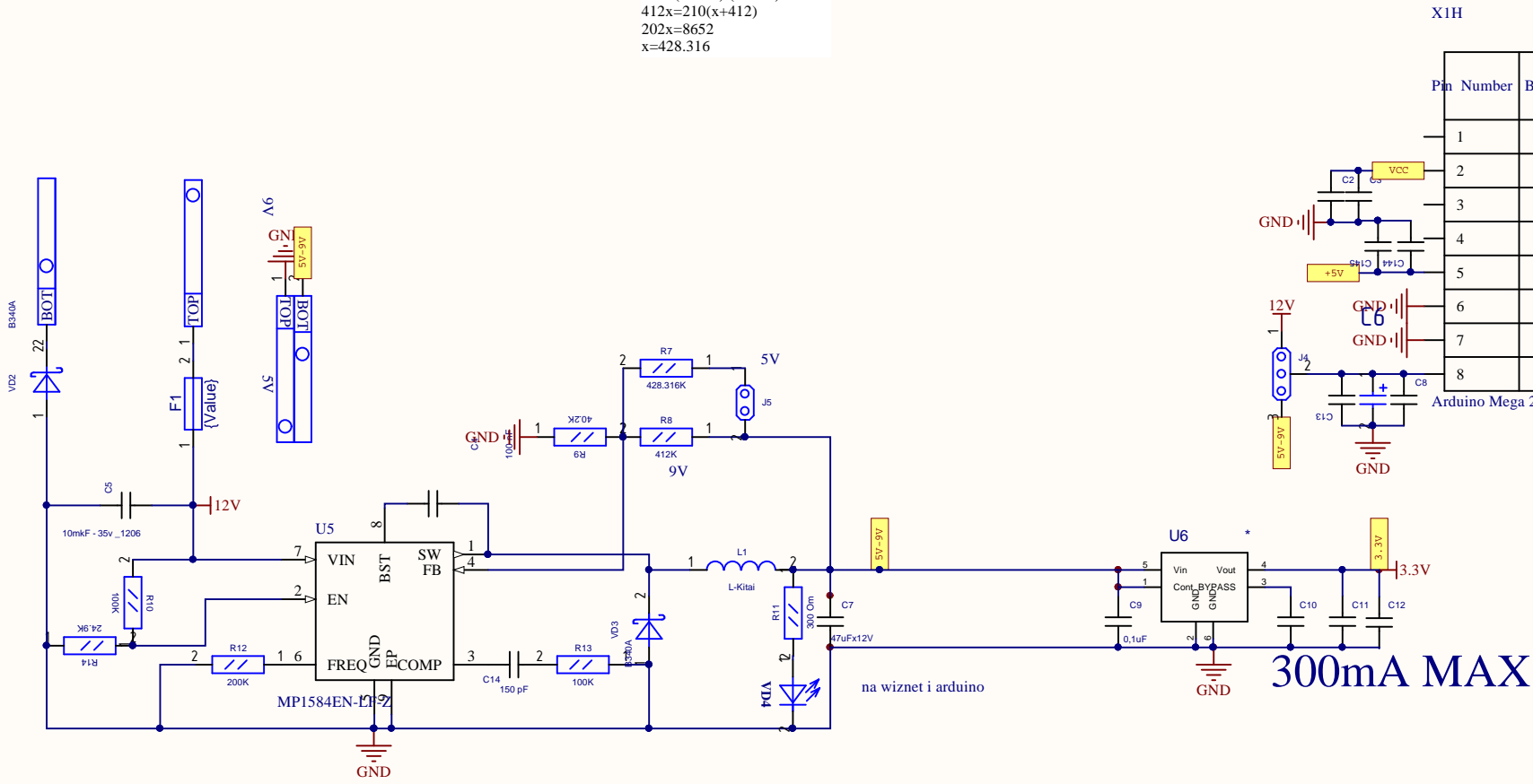
Title			Altium Limited L3, 12a Rodborough Rd Frenchs Forest NSW Australia 2086	
Size: A4	Number:	Revision:		
Date: 12.09.2018	Time: 19:14:54	Sheet of		
File: C:\Users\Electron2\Desktop\готовые проекты\LightHub\OptoDefend.SchDoc				

$$210 = (412 * x) / (412 + x)$$

$$412x = 210(x + 412)$$

$$202x = 8652$$

$$x = 428.316$$



X1H

Power

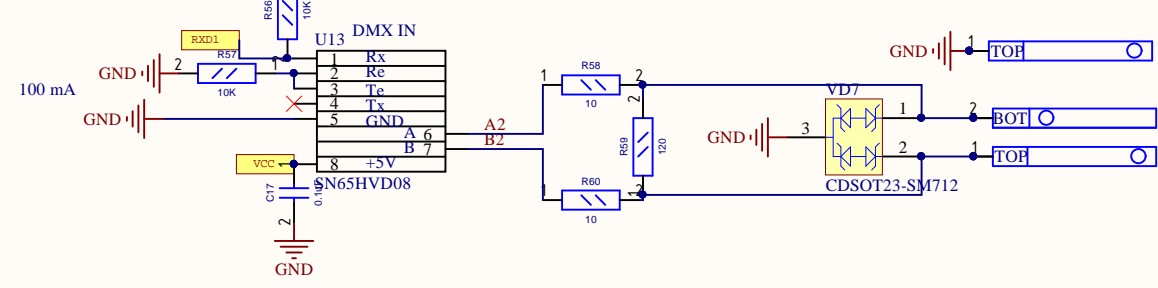
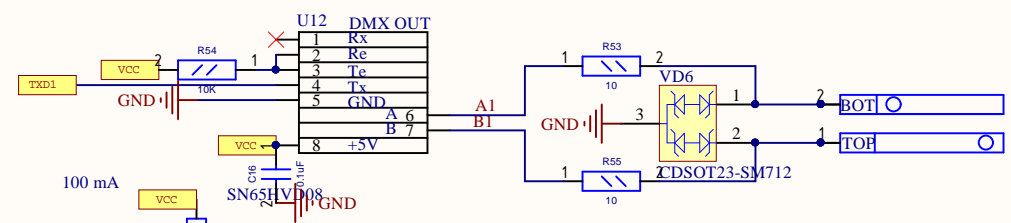
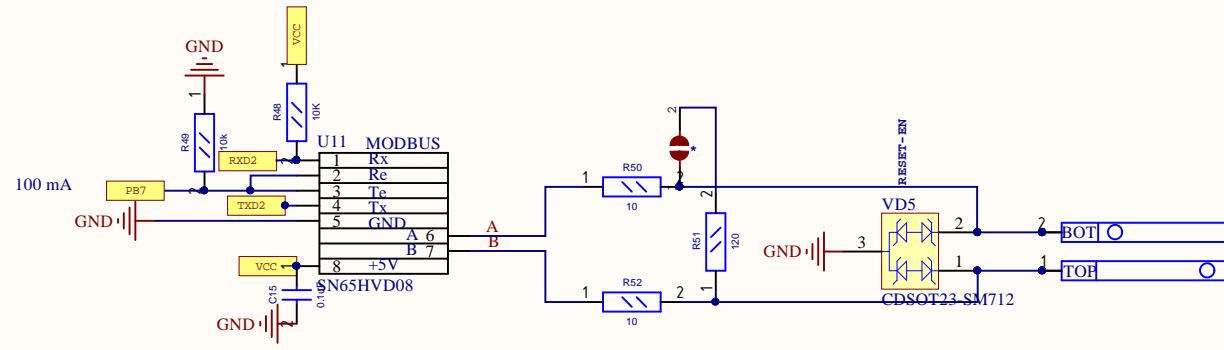
Pin Number	Board Number	MK Number
1		
2	IOREF	
3	RESET	
4	3V3	
5	5V	
6	GND	
7	GND	
8	Vin	

Arduino Mega 2560

na wiznet i arduino

300mA MAX

1,5 A на 5В = 7,5 Вт, укладывается в логику....тогда на входе при кидд приблизительно 80 % потребляемая мощность составит 9,4 Вт. На 24 Волтах это примерно 400mA



Title			Altium Limited L3, 12a Rodborough Rd Frenchs Forest NSW Australia 2086	
Size: A4	Number:	Revision:		
Date: 12.09.2018	Time: 19:14:55	Sheet of		
File: C:\Users\Electron2\Desktop\готовые проекты\LightHub\SN65HVD08.SchDoc				

klemniki dva vivoda  
jotverstia v arduino

24U

5U1A

X444

Y144

R555

MODE

MH

LO

PH

PH

PH

PH

PH

PH

PH

PH

PH

PH

PH

PH

PH

PH

PH

PH

PH

PH

PH

PH

PH

PH

PH

PH

PH

PH

PH

PH

PH

PH

PH

PH

PH

PH

PH

PH

PH

PH

PH

PH

PH

PH

PH

PH

PH

PH

PH

PH

PH

PH

PH

PH

PH

PH

PH

PH

PH

PH

PH

PH

PH

PH

PH

PH

PH

PH

PH

PH

PH

PH

PH

PH

PH

PH

PH

PH

PH

PH

PH

PH

PH

PH

PH

PH

PH

PH

PH

PH

PH

PH

PH

PH

PH

PH

PH

PH

PH

PH

PH

PH

PH

PH

PH

PH

PH

PH

PH

PH

PH

PH

PH

PH

PH

PH

PH

PH

PH

PH

PH

PH

PH

PH

PH

PH

PH

PH

PH

PH

PH

PH

PH

PH

PH

PH

PH

PH

PH

PH

PH

PH

PH

PH

PH

PH

PH

PH

PH

PH

PH

PH

PH

PH

PH

PH

PH

PH

PH

PH

PH

PH

PH

PH

PH

PH

PH

PH

PH

PH

PH

PH

PH

PH

PH

PH

PH

PH

PH

PH

PH

PH

PH

PH

PH

PH

PH

PH

PH

PH

PH

PH

PH

PH

PH

PH

PH

PH

PH

PH

PH

PH

PH

PH

PH

PH

PH

PH

PH

PH

PH

PH

PH

PH

PH

PH

PH

PH

PH

PH

PH

PH

PH

PH

PH

PH

PH

PH

PH

PH

PH

PH

PH

PH

PH

PH

PH

PH

PH

PH

PH

PH

PH

PH

PH

PH

PH

PH

PH

PH

PH

PH

PH

PH

PH

PH

PH

PH

PH

PH

PH

PH

PH

PH

PH

PH

PH

PH

PH

PH

PH

PH

PH

PH

PH

PH

PH

PH

PH

PH

PH

PH

PH

PH

PH

PH

PH

PH

PH

PH

PH

PH

PH

PH

PH

PH

PH

PH

PH

PH

PH

PH

PH

PH

PH

PH

PH

PH

PH

PH

PH

PH

PH

PH

PH

PH

PH

PH

PH

53,015

26,500  
53,025

UNPROTECTED

RJ45

DMX OUT

ELT250-2,54

ELT250-2,54

ELT250-2,54

DMX IN

DMX IN

DMX IN

DMX IN

DMX IN

DMX IN

DMX IN

DMX IN

DMX IN

**Boards**